



Standard Specifications

MT400N-D

1st ed. 01-Apr-15
2nd ed. 05-Mar-21

Kawasaki Heavy Industries, Ltd.
Robot Business Division

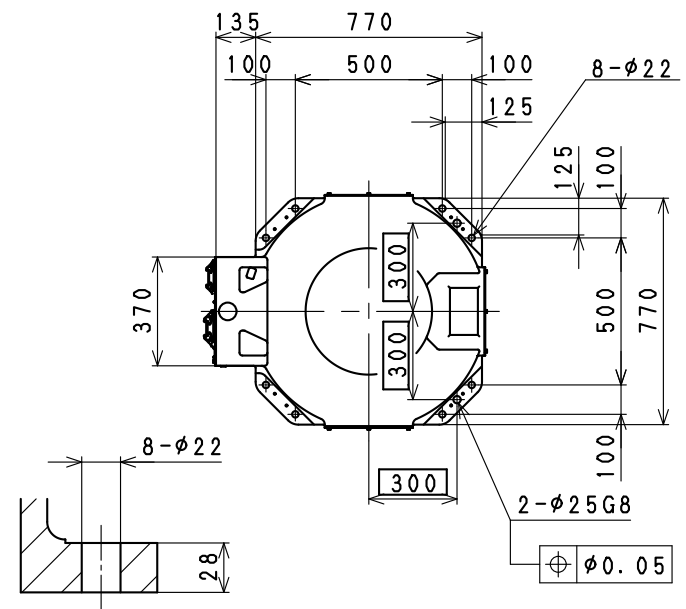
Specification number : 90151-0059DEB

Robot specifications

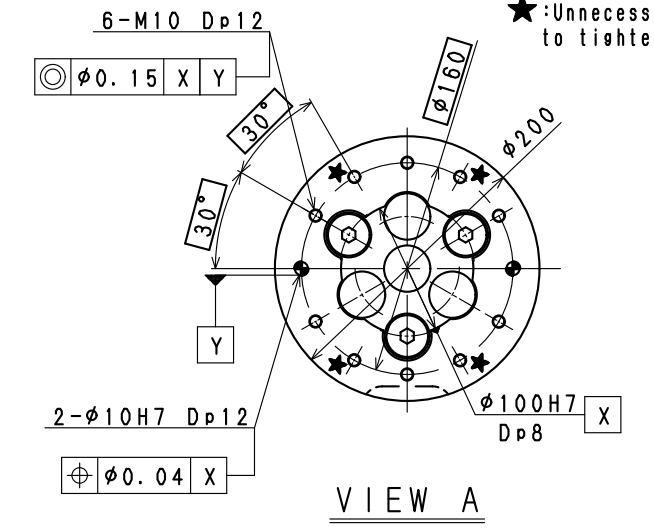
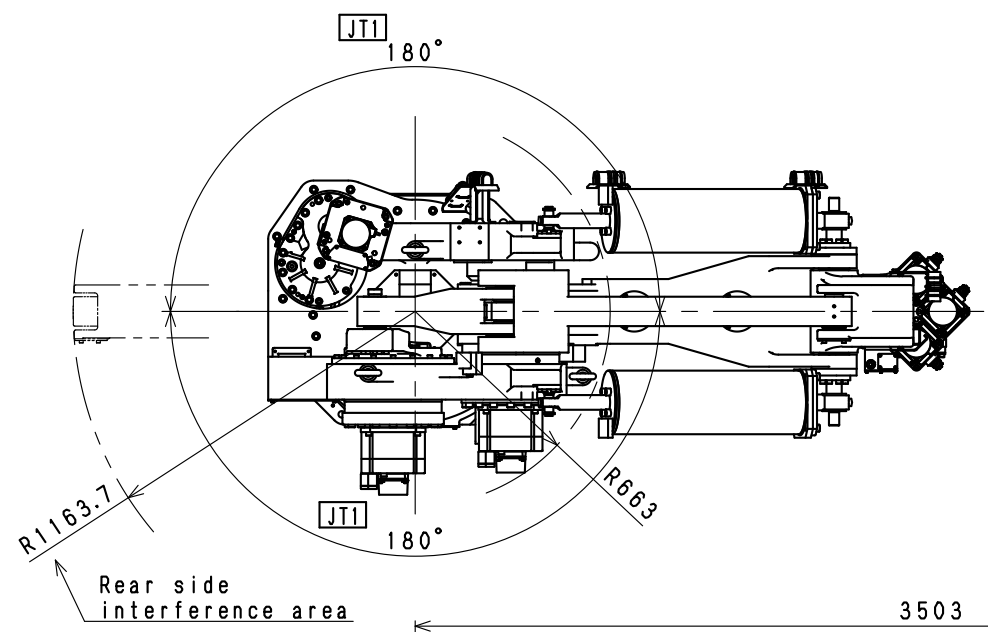
1. Model	MT400N-D																									
2. Type	Articulated robot																									
3. Degree of freedom	6 axes (Option 7 axes)																									
4. Max. payload	400 kg (If payload is between 380 and 400 kg, the tool mounting surface always looks down.)																									
5. Max. reach	3,503 mm																									
6. Position repeatability	±0.5 mm (wrist flange surface) conforms to ISO 9283																									
7. Axis specification	<table border="1"> <thead> <tr> <th>Operating axis</th> <th>Motion range</th> <th>Max. speed</th> </tr> </thead> <tbody> <tr> <td>Arm rotation (JT1)</td> <td>±180°</td> <td>80°/s</td> </tr> <tr> <td>Arm out-in (JT2)</td> <td>+ 15° - - 135°</td> <td>70°/s</td> </tr> <tr> <td>Arm up-down (JT3)</td> <td>+ 106° - - 30°</td> <td>70°/s</td> </tr> <tr> <td>Wrist swivel (JT4)</td> <td>±360°</td> <td>70°/s</td> </tr> <tr> <td>Wrist bend (JT5)</td> <td>±120°</td> <td>70°/s</td> </tr> <tr> <td>Wrist twist (JT6)</td> <td>±360°</td> <td>130°/s</td> </tr> <tr> <td>Linear traverse (-)</td> <td>2000 mm (Standard)</td> <td>1000 mm/s</td> </tr> </tbody> </table>		Operating axis	Motion range	Max. speed	Arm rotation (JT1)	±180°	80°/s	Arm out-in (JT2)	+ 15° - - 135°	70°/s	Arm up-down (JT3)	+ 106° - - 30°	70°/s	Wrist swivel (JT4)	±360°	70°/s	Wrist bend (JT5)	±120°	70°/s	Wrist twist (JT6)	±360°	130°/s	Linear traverse (-)	2000 mm (Standard)	1000 mm/s
Operating axis	Motion range	Max. speed																								
Arm rotation (JT1)	±180°	80°/s																								
Arm out-in (JT2)	+ 15° - - 135°	70°/s																								
Arm up-down (JT3)	+ 106° - - 30°	70°/s																								
Wrist swivel (JT4)	±360°	70°/s																								
Wrist bend (JT5)	±120°	70°/s																								
Wrist twist (JT6)	±360°	130°/s																								
Linear traverse (-)	2000 mm (Standard)	1000 mm/s																								
8. Load capacity of wrist	<p>In case of payload under 380 kg</p> <table border="1"> <thead> <tr> <th></th> <th>Max. torque</th> <th>Moment of inertia*</th> </tr> </thead> <tbody> <tr> <td>JT4</td> <td>2,150 N·m</td> <td>200 kg·m²</td> </tr> <tr> <td>JT5</td> <td>2,150 N·m</td> <td>200 kg·m²</td> </tr> <tr> <td>JT6</td> <td>980 N·m</td> <td>147 kg·m²</td> </tr> </tbody> </table> <p>Note* Each value in this table shows allowable moment of inertia of JT4/JT5/JT6 when max. allowed torque is applied to each axis.</p> <p>In case of payload between 380 and 400 kg, please contact Kawasaki.</p>			Max. torque	Moment of inertia*	JT4	2,150 N·m	200 kg·m ²	JT5	2,150 N·m	200 kg·m ²	JT6	980 N·m	147 kg·m ²												
	Max. torque	Moment of inertia*																								
JT4	2,150 N·m	200 kg·m ²																								
JT5	2,150 N·m	200 kg·m ²																								
JT6	980 N·m	147 kg·m ²																								
9. Mass	2,600 kg (without options)																									
10. Mounting	Shelf mounting																									
11. Installation Environment	Ambient Temperature: 0 - 45 °C Relative Humidity: 35 - 85 % (with no dew condensation)																									
12. Color	Munsell 10GY9/1 equivalent																									
13. Built-in utilities	Pneumatic piping	φ12 × 2 lines																								
	Wirings for valves to operate the hand	DC24V × 7 circuits																								
14. Options	Mechanical stopper	JT1/JT2/JT3																								
	Limit switch	JT1/JT2/JT3																								
	Servo on Lamp	Comply UL Standard																								
	Jig for conveyance	Fork pockets																								
	Color																									

Consult Kawasaki about maintenance parts and spare parts.

★:Unnecessary to tighten bolts

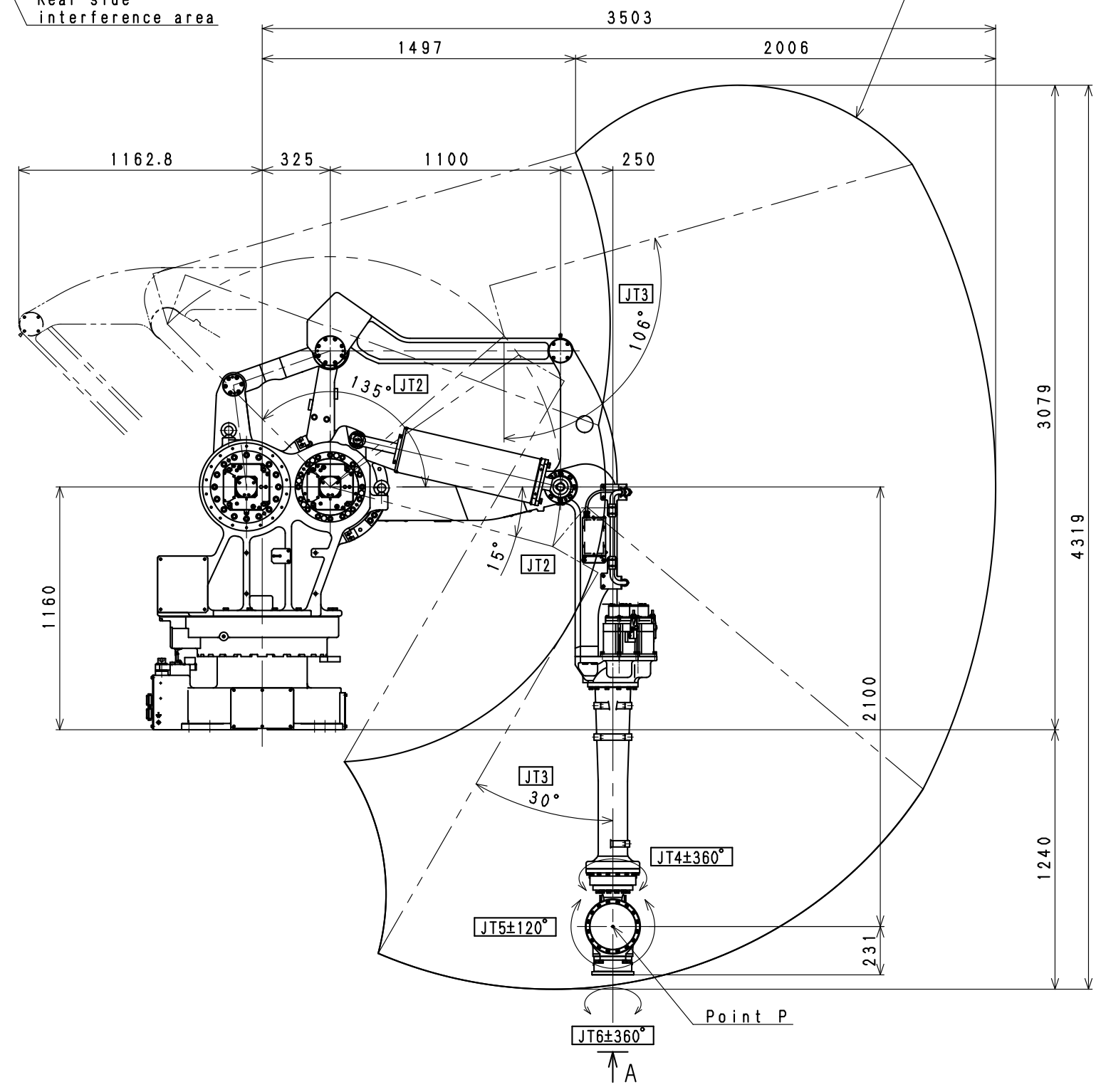
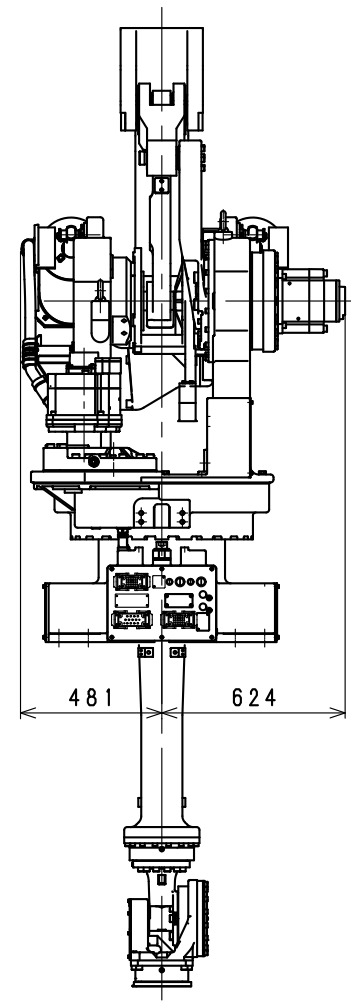


Installation Dimensions



VIEW A

Working range based on point P



MT400N
WORKING RANGE